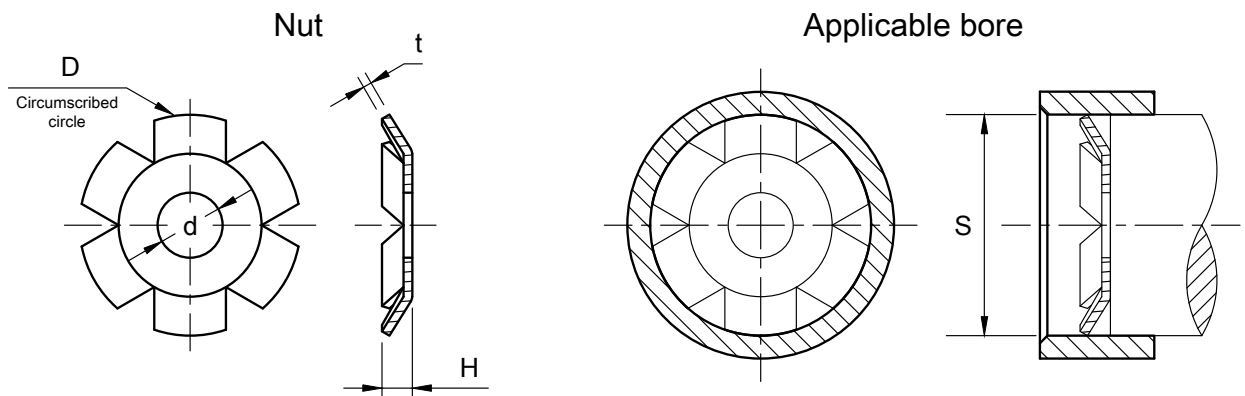


Unit : mm

Size-No.	Nut						Applicable stud	
	d		D	H	t		S	
	Basic	Tol.			Basic	Tol.	Basic	Tol.
SPN- ※ 1.2	1.1	+0 -0.1	4.5	0.6	0.25	±0.025	1.2	+0.05 0
※ 1.5	1.4		5.2	0.6			1.5	
2	1.9		6	0.7			2	
※ 2.4	2.3	+0 -0.15	7	0.8	0.3	±0.03	2.4	
※ 2.6	2.5		7	0.9			2.6	
3	2.9		10	1.3			3	
4	3.9	12	1.4	0.4	±0.04	4		
5	4.9	14	1.55			5		
6	5.9	16	1.75			6		
8	7.9	17.5	1.8	0.5	±0.05	8		
10	9.9	21	2.2	0.7		10		
12	11.9	27	2.8	0.9		12		

- Material = carbon steel Hardness = HRC40~50 Finish = black oxide
 - Material = stainless steel
- Note : ※Mark is according to our company's specification.

Internal Push-on Spring Nut (Circle)



Unit : mm

Size-No.	Nut						Applicable bore	
	D		d	H	t		S	
	Basic	Tol.			Basic	Tol.	Basic	Tol.
RPN- 6	6.2	±0.1	1	1	0.3	±0.025	6	+0.03
8	8.2		1.8	1.2	0.3		8	-0.06
10	10.2		3	1.4	0.4		10	+0.03 -0.07

- Material = carbon steel Hardness = HRC40~50 Finish = black oxide
- Material = stainless steel