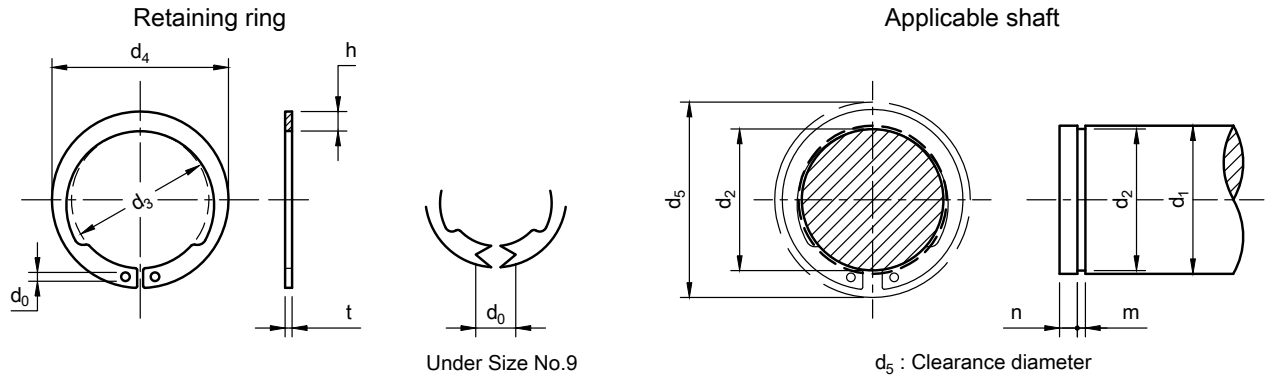


Inverted External Retaining Ring



Unit : mm

Size-No.	Retaining ring								Applicable shaft						
	d ₃		d ₄	t		h	d ₀	Gen. Tol.	d ₅	d ₁	d ₂		m		n
	Basic	Tol.		Basic	Tol.						Basic	Tol.	Basic	Tol.	
ISTW- 6	5.6		8	0.5	±0.03	1.2	2.2	±0.2	8.9	6	5.7	⁰ _{-0.04}	0.6	+0.1 0	
7	6.5	+0.1 -0.2	9.3	0.6		1.4	2.4		10.3	7	6.7		0.7		
8	7.4		10.6	0.7	±0.04	1.6	3		11.7	8	7.6	⁰ _{-0.06}	0.8		
9	8.4		12	0.8		1.8	3.4	±0.3	13.1	9	8.6		0.95		
10	9.3	±0.15	13.3	1	±0.05	2	1.2		14.5	10	9.6	⁰ _{-0.09}	1.15		
11	10.2		14.4			2.1			16	11	10.5				
12	11.1		15.5			2.2		17.2	12	11.5					
13	12	±0.18	16.6	1	±0.05	2.3	1.2	18.4	13	12.4	⁰ _{-0.11}	1.15			
14	12.9		17.5			2.3		19.4	14	13.4					
15	13.8		18.6			2.4		20.6	15	14.3					
16	14.7	±0.18	19.7	1	±0.05	2.5	1.2	21.8	16	15.2	⁰ _{-0.11}	1.15			
17	15.7		20.9			2.6		23	17	16.2					
18	16.5		21.9			2.7		24.2	18	17					
19	17.5	±0.2	23.1	1.2	±0.06	2.8	1.5	25.4	19	18	⁰ _{-0.21}	1.35			
20	18.5		24.3			2.9		27	20	19					
21	19.5		25.5			3		28	21	20					
22	20.5	±0.2	26.5	1.2	±0.06	3	1.5	29	22	21	⁰ _{-0.21}	1.35			
24	22.2		28.6			3.2		31.5	24	22.9					
25	23.2		29.8			3.3		33	25	23.9					
26	24.2	±0.2	31	1.5	±0.06	3.4	1.8	34	26	24.9	⁰ _{-0.21}	1.65			
28	25.9		33.1			3.6		36.5	28	26.6					
29	26.9		34.1			3.6		37.5	29	27.6					
30	27.9	±0.25	35.3	1.5	±0.06	3.7	1.8	38.5	30	28.6	⁰ _{-0.21}	1.65			
32	29.6		37.4			3.9		41	32	30.3					
34	31.5		39.7			4.1		43.5	34	32.3					
35	32.2	±0.25	40.6	1.5	±0.06	4.2	1.8	45	35	33	⁰ _{-0.21}	+0.14 0			
36	33.2		41.6			4.2		46	36	34					
38	35.2		44			4.4		48	38	36					
40	37	±0.4	46.2	1.75	±0.07	4.6	2	51	40	38	⁰ _{-0.25}	1.9			
42	38.5		48.1			4.8		54	42	39.5					
45	41.5		51.3			4.9		57	45	42.5					
48	44.5	±0.4	55.1	1.75	±0.07	5.3	2	61	48	45.5	⁰ _{-0.25}	1.9			
50	45.8		56.8			5.5		63	50	47					
52	47.8		59			5.6		65	52	49					
55	50.8	±0.45	62.6	2	±0.07	5.9	2.5	69	55	52	⁰ _{-0.3}	2.2			
56	51.8		63.8			6		70	56	53					
58	53.8		66			6.1		72	58	55					
60	55.8	±0.45	68.4	2	±0.07	6.3	2.5	75	60	57	⁰ _{-0.3}	2.2			
62	57.8		70.8			6.5		77	62	59					
63	58.8		72			6.6		78	63	60					
65	60.8	±0.45	74.4	2.5	±0.08	6.8	3	81	65	62	⁰ _{-0.3}	2.7			
68	63.5		77.5			7		84	68	65					
70	65.5		79.9			7.2		87	70	67					
72	67.5	±0.45	82.1	2.5	±0.08	7.3	3	89	72	69	⁰ _{-0.3}	2.7			
75	70.5		85.7			7.6		92	75	72					
78	73.5		89.3			7.9		96	78	75					
80	74.5	±0.55	90.5	3	±0.09	8	3.5	98	80	76.5	⁰ _{-0.35}	+0.18 0			
82	76.5		92.9			8.2		101	82	78.5					
85	79.5		96.5			8.5		104	85	81.5					
88	82.5	±0.55	99.9	3	±0.09	8.7	3.5	108	88	84.5	⁰ _{-0.35}	+0.18 0			
90	84.5		102.3			8.9		110	90	86.5					
95	89.5		108.1			9.3		116	95	91.5					
100	94.5		113.9			9.7		122	100	96.5					

• Material = carbon steel

Hardness = HRC44~52

Finish = black oxide or phosphate coating (ACP)