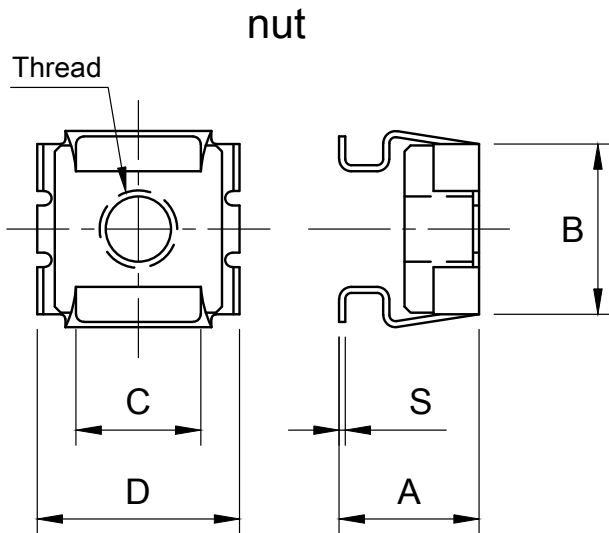
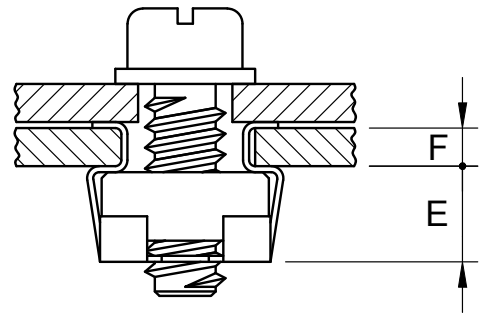


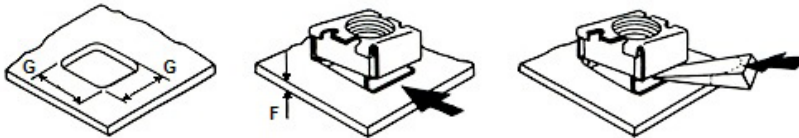
# Cage Nut



## Applicable screw



### Assembly guideline



- Step 1.  
Insert one end of the cage nut into the hole so that it clips around the edge.
- Step 2.  
Push the other end in, and make sure that the cage lip catches.

Unit : mm

Applicable screw	Sheet		Cage nut					
	F	G	A	B	C	D	E	S
	Thickness	±0.1	±0.5	±0.5	±0.5	±0.6	±0.5	
M3	0.3 ~ 0.9	5.3	5.2	8.8	4.8	9.3	3.6	0.3
	1.0 ~ 1.6	5.3	5.9	8.8	4.8	9.3	3.6	0.3
M4	0.3 ~ 0.9	5.3	5.2	8.8	4.8	9.3	3.6	0.3
	1.0 ~ 1.6	5.3	5.9	8.8	4.8	9.3	3.6	0.3
	0.3 ~ 1.1	8.3	8.5	11.4	7.2	12	6	0.45
	1.2 ~ 1.6	8.3	9	11.4	7.2	12	6	0.45
	0.7 ~ 1.6	9.5	9	12	8	13.2	6.2	0.45
	1.7 ~ 2.7	9.5	10	12	8	13.2	6.2	0.45
	0.3 ~ 1.1	8.3	8.5	11.4	7.2	12	6	0.45
M5	1.2 ~ 1.6	8.3	9	11.4	7.2	12	6	0.45
	0.7 ~ 1.6	9.5	9	12	8	13.2	6.2	0.45
	1.7 ~ 2.7	9.5	10	12	8	13.2	6.2	0.45
	0.3 ~ 1.1	8.3	8.5	11.4	7.2	12	6	0.45
M6	1.2 ~ 1.6	8.3	9	11.4	7.2	12	6	0.45
	0.7 ~ 1.6	9.5	9	12	8	13.2	6.2	0.45
	1.7 ~ 2.7	9.5	10	12	8	13.2	6.2	0.45
	0.3 ~ 1.1	8.3	8.5	11.4	7.2	12	6	0.45
M8	1.2 ~ 1.6	8.3	9	11.4	7.2	12	6	0.45
	0.7 ~ 1.6	9.5	9	12	8	13.2	6.2	0.45
	1.7 ~ 2.7	9.5	10	12	8	13.2	6.2	0.45
M10	1.0 ~ 1.7	12.3	10.4	15.5	10.6	16.4	7.8	0.5
	1.8 ~ 3.2	12.3	12	15.5	10.6	16.4	7.8	0.5
M10	1.0 ~ 1.7	12.3	10.4	15.5	10.6	16.4	7.8	0.5
	1.8 ~ 3.2	12.3	12	15.5	10.6	16.4	7.8	0.5

• Material = carbon steel      Finish = Zinc plating