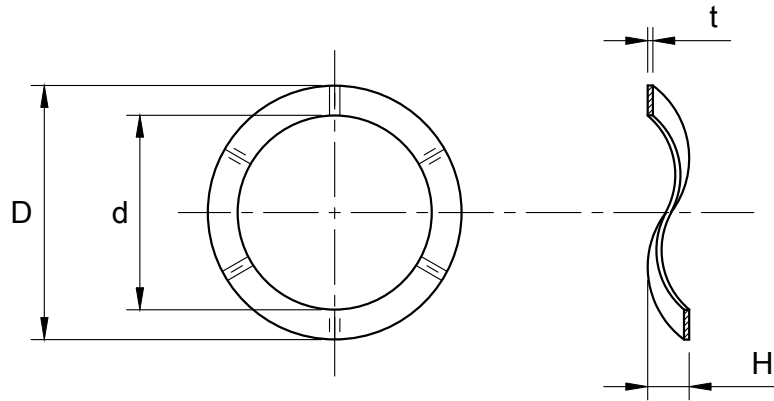


### Wave Washer (For bearing use)



Unit : mm

Size-No.	Bearing dia.	Wave Washer (For general use)						Applicable bearing Nos.			
		D		d		H	t				
		Basic	Tol.	Basic	Tol.						
BWW- 624	13	12.4	±0.2	8.4	±0.2	1.8~2.1	0.20	624	633	695	
605	14	13.6	±0.1	11.0	±0.1	1.5~1.8	0.20	605			
625	16	15.5	±0.2	10.95	±0.2	1.5~1.9	0.20	625	634		
626	19	18.0	±0.2	12.7	±0.2	2.5~3.0	0.30	607	626	635	6800
626-01	19	18.1	±0.2	12.7	±0.2	2.5~3.0	0.20				
626-02	19	18.6	±0.2	15.0	±0.2	1.6~1.9	0.20				
626-03	19	18.6	±0.2	15.0	±0.2	1.6~2.0	0.25				
626-04	19	18.9	±0.1	15.2	±0.1	1.6~2.0	0.30				
627	22	20.9	±0.3	14.7	±0.3	2.5~3.0	0.30	608	627	636	6900
627-01	22	20.9	±0.3	14.7	±0.3	2.5~3.0	0.20				
627-02	22	20.9	±0.3	14.7	±0.3	2.5~3.0	0.25				
627-03	22	20.9	±0.3	14.7	±0.3	2.5~3.0	0.40				
627-04	22	20.9	±0.3	14.7	±0.3	2.4~2.9	0.15				
627-05	22	21.3	±0.3	14.6	±0.3	1.2~1.5	0.20				
627-06	22	21.0		9.0		3.0~3.7	0.30	三齒			
609-01	24	23.3	±0.3	20.6	±0.3	1.0~1.5	0.40	609	628	6802	6901
629	26	24.8	±0.3	19.6	±0.3	3.5~4.1	0.30	6000	629	637	6803
629-01	26	24.8	±0.3	19.6	±0.3	2.2~2.8	0.30				
629-02	26	24.8	±0.3	19.6	±0.3	3.5~4.2	0.40				
6001	28	26.8	±0.3	21.0	±0.3	3.0~3.6	0.30	6001	638	6902	
6001-01	28	27.1	±0.15	21.0	±0.15	1.8~2.3	0.30				
6200	30	29.0	±0.3	21.2	±0.3	3.0~3.6	0.30		6200	639	6903
6200-01	30	29.0	±0.3	21.2	±0.3	3.0~3.6	0.40				
6200-02	30	29.0	±0.3	21.2	±0.3	3.0~3.6	0.25				
6200-03	31	30.1	±0.3	21.0	±0.3		0.30	三齒			
6200-04	30	29.0	±0.3	21.2	±0.3	1.5~2.0	0.30				
6200-05	30	28.5	±0.3	22.0	±0.3	3.3~3.9	0.30				
6200-06	30	28.5	±0.3	23.0	±0.3	2.0~2.6	0.25				
6201	32	31.0	±0.3	23.2	±0.3	3.3~3.9	0.30	6002	6201	6804	
6201-01	32	31.0	±0.3	23.5	±0.3	3.5~4.2	0.40				
6201-02	32	31.0	±0.3	22.7	±0.3	3.4~4.0	0.25				
6201-03	32	30.8	±0.3	25.2	±0.3	3.1~3.7	0.30				
6201K	32	31.1	±0.3	23.2	±0.3	2.5~3.1	0.40				
6201K-01	32	31.1	±0.3	23.2	±0.3	2.5~3.5	0.50				
H-31	32	30.9	±0.3	21.8	±0.3	2.4~3.0	0.30				
6202	35	33.9	±0.3	26.0	±0.3	3.5~4.2	0.30	6003	6202	6300	

Size-No.	Bearing dia.	Wave Washer (For general use)						Applicable bearing Nos.				
		D		d		H	t					
		Basic	Tol.	Basic	Tol.							
BWW- 6202-01	35	33.7	±0.3	25.8	±0.3	3.5~4.2	0.50	6003	6202	6300		
6202-02	35	33.7	±0.3	25.6	±0.3	3.5~4.1	0.25					
6202-03	35	33.7	±0.3	25.6	±0.3	2.5~4.2	0.40					
6202-04	35	34.1	±0.3	28.6	±0.3	3.3~4.0	0.40					
6202-05	35	34.0	±0.5	26.0	±0.5	3.0~3.7	0.45					
6202-06	35	33.9	+0/-0.3	29.7	+0.3/-0	3.2~3.8	0.50					
6202-07	35	34.0	+0/-0.3	21.3	+0.3/-0	2.7~3.3	0.40					
6202-08	35	34.0	±0.3	26.4	±0.3	3.2~3.8	0.40					
6202-10	35	34.1	±0.3	28.6	±0.3	3.4~4.2	0.50					
6202K	35	33.9	±0.3	26.2	±0.3	2.7~3.4	0.40					
H-34	35	33.8	±0.3	24.5	±0.3	2.8~3.6	0.30					
H-35	35	34.4	±0.3	27.6	±0.3	2.7~3.5	0.35					
6301	37	35.5	±0.3	28.8	±0.3	4.0~4.8	0.30			6301	6805	6904
6301-01	37	35.5	±0.3	28.8	±0.3	4.0~4.8	0.40					
6203	40	38.6	±0.3	30.4	±0.3	4.4~5.1	0.30		6203			
6203-01	40	39.2	±0.3	30.0	±0.3	3.5~4.0	0.40					
6203-02	40	39.0	±0.3	31.3	±0.3	3.2~3.9	0.50					
6203-03	40	39.0	±0.3	31.0	±0.3	3.0~3.5	0.40					
6203-04	40	38.5	±0.3	32.5	±0.3	3.3~4.2	0.40					
6203-04-01	40	38.5	±0.3	32.5	±0.3	3.3~4.2	0.50					
6203-05	40	38.1	±0.4	25.6	±0.4	3.5~4.5	0.30					
H-39	40	38.9	±0.3	28.0	±0.3	3.1~3.8	0.35					
H-40	40	39.0	±0.3	29.0	±0.3	3.0~3.7	0.35					
6302	42	40.5	±0.3	31.8	±0.3	4.8~5.6	0.30	6004		6302	6806	6905
6302-01	42	40.5	±0.3	34.8	±0.3	3.5~4.2	0.40					
6302-02	42	40.5	±0.3	31.8	±0.3	4.8~5.7	0.50					
6302-03	42	40.5	±0.3	31.8	±0.3	4.8~5.7	0.40					
60/22	44	42.4	±0.3	32.4	±0.3	5.0~5.8	0.40					
6204	47	45.5	±0.3	34.2	±0.3	5.0~5.8	0.30	6005	6204	6303	6807	6906
6204-01	47	45.3	±0.3	34.0	±0.3	5.8~6.6	0.60					
6204-02	45	43.1	±0.3	33.8	±0.3	5.5~6.3	0.40					
6204K	47	45.7	±0.3	37.0	±0.3	4.0~4.8	0.50					
6204T	47	46.0	±0.3	37.0	±0.3	2.6~3.4	0.40					
H-46	47	45.9	±0.3	34.4	±0.3	3.8~4.6	0.40					
H-47	47	46.2	±0.3	34.4	±0.3	3.0~3.8	0.40					
6205	52	50.2	±0.3	40.8	±0.3	5.4~6.2	0.40		6205	6304	6808	
6205-01	52	50.2	±0.3	40.8	±0.3	5.0~6.0	0.20					
6205K	52	50.9	±0.3	39.1	±0.3	4.0~4.8	0.50					
6205T	52	50.7	±0.3	41.5	±0.3	2.9~3.7	0.40					
H-52	52	51.4	±0.3	40.6	±0.3	3.2~4.0	0.60					
6006	55	53.2	±0.4	42.2	±0.4	5.5~6.5	0.50	6006				
6809	58	56.2	±0.4	46.0	±0.4	5.5~6.5	0.60				6809	
6206	62	60.3	±0.3	47.5	±0.3	6.0~6.8	0.50	6007	6206	6305		6908
6206-01	62	60.9	±0.3	50.0	±0.3	4.4~5.4	0.60					
6206-02	62	60.3	±0.3	47.5	±0.3	6.0~6.8	0.40					
6206-03	62	60.5	±0.3	52.7	±0.3/-0.5	4.2~5.0	0.60					
6206K	62	60.7	±0.3	51.5	±0.3	3.8~4.6	0.60					
6206T	62	60.0	±0.3	50.8	±0.3	3.4~4.2	0.50					

Size-No.	Bearing dia.	Wave Washer (For general use)						Applicable bearing Nos.				
		D		d		H	t					
		Basic	Tol.	Basic	Tol.							
BWW- H-62	62	61.3	±0.3	46.5	±0.3	3.5~4.3	0.60	6007	6206	6305		6908
6207	72	69.8	±0.3	53.5	±0.3	7.0~7.8	0.50		6207	6306	6811	6910
6207-01	72	69.8	±0.3	53.5	±0.3	7.2~8.0	0.70					
6207K	72	70.8	±0.3	58.8	±0.3	5.0~5.8	0.70					
6207T	72	69.8	±0.3	56.8	±0.5	3.9~4.7	0.60					
6009	75	73.0	±0.4	59.0	±0.4	6.8~8.0	0.50	6009				
6812	78	76.0	±0.4	62.0	±0.4	6.8~8.0	0.60				6812	
6307T	80	77.5	±0.4	65.4	±0.4	5.0~6.0	0.60	6010	6208	6307		6911
6208	80	77.9	±0.4	60.4	±0.4	7.0~7.8	0.50					
6208K	80	77.9	±0.4	65.3	±0.4	7.7~8.5	0.70					
6209	85	82.6	±0.4	69.2	±0.4	7.5~8.5	0.50		6209		6813	6912
6209-01	85	82.6	±0.4	69.2	±0.4	7.7~8.7	0.70					
6210	90	88.0	±0.4	68.8	±0.4	6.8~7.8	0.50	6011	6210	6308	6814	6913
H-01	90	88.3	±0.4	72.5	±0.4	7.8~8.5	1.20					
6308K	90	88.7	±0.4	74.7	±0.4	6.0~6.8	0.90					
H-90	90	88.6	±0.4	72.6	±0.4	6.0~6.8	0.80					
6211	100	98.0	±0.4	83.4	±0.4	6.9~7.7	0.90	6013	6211	6309	6816	6914
6309	100	98.0	±0.4	83.4	±0.4	6.9~7.7	0.90					
6309-01	100	97.8	±0.5	86.0	±0.5	7.0~8.0	1.00					
6309T	100	96.6	±0.4	82.8	±0.4	5.8~6.8	0.80					
6212	110	108.0	±0.4	85.3	±0.4	8.0~8.8	1.00	6014	6212	6310	6817	6916
6310	110	108.0	±0.4	85.3	±0.4	8.0~8.8	1.00					
6310T	110	107.5	±0.4	93.7	±0.4	5.5~6.5	1.00					
H-02	110	108.0	±0.4	90.5	±0.4	8.5~9.3	1.20					
6213	120	117.4	±0.4	91.6	±0.4	8.5~9.5	1.00		6213	6311		6917
6213-01	120	117.0	±0.4	103.0	±0.4	5.3~6.3	1.10					
6311T	120	116.8	±0.4	103.2	±0.4	6.8~7.8	1.10					
6214T	125	122.0	±0.5	108.0	±0.5	7.8~8.8	1.00	6016	6214		6820	6918
6215	130	127.4	±0.5	107.4	±0.5	10.0~12.0	0.80	6017	6215	6312		6919
6215-01	130	127.4	±0.4	107.4	±0.5	10.5~12.8	1.20					
6312-T5	130	127.4	±1.0	112.0	±1.0	6.5~9.5	1.00					
6216	140	137.4	±0.5	111.4	±0.5	10.0~12.0	0.80	6018	6216	6313	6822	6920
6216-01	140	137.4	±0.5	111.4	±0.5	10.5~12.5	1.20					
6313-T5	140	137.0	±1.0	118.0	±1.0	6.0~8.0	1.00					
6314-T5	150	147.0	±1.0	126.5	±1.0	8.5~11.5	1.00	6020	6217	6314	6824	6922
6315	160	157.0	±1.5	137.0	±1.5	10.1~11.5	1.00	6021	6218	6315		
6315-T5	160	157.0	±1.0	136.5	±1.0	8.5~11.5	1.00					
6317-T6	180	177.0	±1.0	156.5	±1.0	8.5~11.5	1.00	6024	6220	6317		6926
6319-T6	200	197.0	±1.0	174.5	±1.0	8.5~11.5	1.00	6026	6222	6319	6832	
6420-T6	250	246.0	±2.0	220.5	±2.0	8.5~11.5	1.00		6228			

• Material = carbon steel

Hardness = HRC40~50

Finish = black oxide