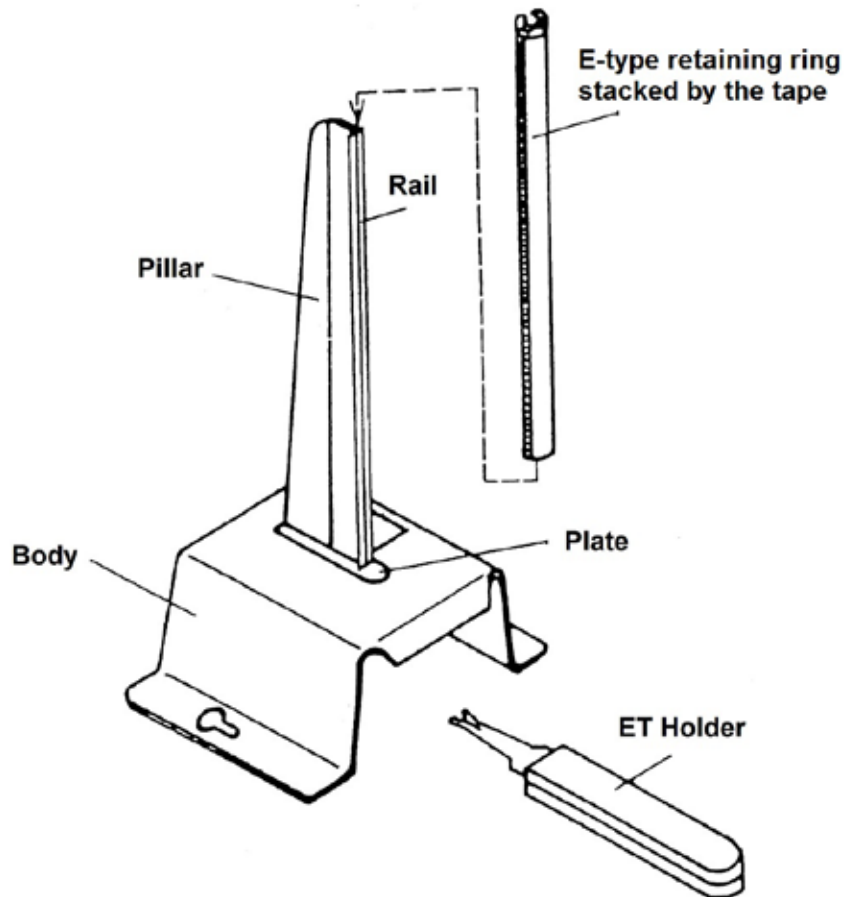


ET Stand for 200pcs



The relationship between E-ring stack and ET holder for ET stand

Unit : mm

Size-No.	Applicable E-type retaining ring			E-ring Stack Size-No.	ET Holder Size-No.	ET Stand Size-No.
	Inside diameter	Outside diameter	Plate thickness			
ETW- 0.6	0.6	1.5	0.2	ETW- -	ETH- 0.6	ETS- 0.6
0.8	0.8	2	0.2	-	0.8	0.8
1	0.98	2.8	0.2	-	1	1
1.2	1.2	3	0.3	1.2 I	1.2	1.2
1.5	1.5	4	0.4	1.5 I	1.5	1.5
2	2	5	0.4	2 I	2	2
2.3	2.3	6	0.4	-	2.3	2.3
2.5	2.5	6	0.4	2.5 I	2.5	2.5
3	3	7	0.6	3 I	3	3
3.2	3.2	7	0.6	-	3.2	3.2
4	4	9	0.6	4 I	4	4
5	5	11	0.6	5 I	5	5
6	6	12	0.8	6 I	6	6
7	7	14	0.8	7 I	7	7
8	8	16	0.8	-	8	8
9	9	18	0.8	-	9	9
10	10	20	1	-	10	10
12	12	23	1	-	12	12