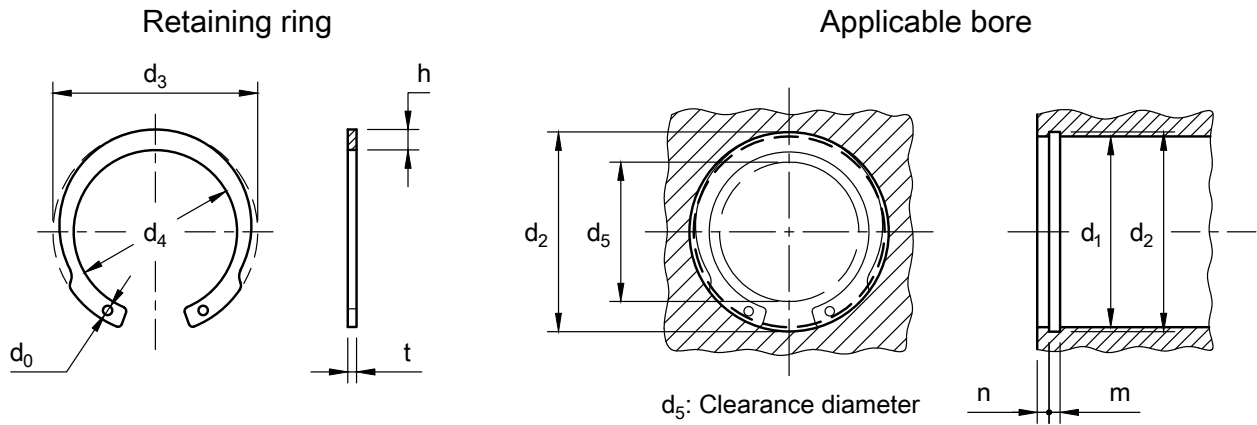


## Inverted Internal Retaining Ring



Unit : mm

Size-No.	Retaining ring							Applicable bore							
	d <sub>3</sub>		d <sub>4</sub>	t		h	d <sub>0</sub>	Gen. Tol.	d <sub>5</sub>	d <sub>1</sub>	d <sub>2</sub>		m		n
Basic	Tol.	Basic		Tol.	Basic						Tol.	Basic	Tol.	Basic	
IRTW-10	11.1		7.7			1.7			5.9	10	10.4				
11	12.2		8.6			1.8			6.6	11	11.4				
12	13.3		9.7			1.8			7.6	12	12.5				
13	14.1	±0.18	10.9			1.6			9	13	13.6				
14	15.1		11.7			1.7			9.8	14	14.6				
15	16.2		12.6			1.8			10.6	15	15.7				
16	17.3		13.5	1	±0.05	1.9			11.4	16	16.8				
17	18.3		14.3			2			12.2	17	17.8				
18	19.5		15.3			2.1			13	18	19				
19	20.5		16.1			2.2			13.8	19	20				
20	21.5		16.9			2.3	1		14.5	20	21				
21	22.5	±0.2	17.7			2.4			15	21	22				
22	23.5		18.7			2.4			16	22	23				
24	25.9		20.7			2.6			17.5	24	25.2				
25	26.9		21.5			2.7		1.2	18.5	25	26.2				
26	27.9		22.3	1.2		2.8			19	26	27.2				
28	30.1		24.1			3			20.5	28	29.4				
30	32.1		25.7			3.2	1.4		22.5	30	31.4				
32	34.4		27.4		±0.06	3.5			23.5	32	33.7				
34	36.5	±0.25	29.1			3.7			25	34	35.7				
35	37.8		30			3.9			26	35	37				
36	38.8		30.8	1.5		4		1.6	26.5	36	38				
37	39.8		31.6			4.1			27.5	37	39				
38	40.8		32.4			4.2			28	38	40				
40	43.5		34.7			4.4			30	40	42.5				
42	45.5	±0.4	36.3			4.6			31	42	44.5				
45	48.5		38.9	1.75		4.8		2	33	45	47.5				
47	50.5		40.7			4.9			35	47	49.5				
48	51.5		41.5			5			36	48	50.5				
50	54.2		44			5.1			38	50	53				
52	56.2		45.8		±0.07	5.2	2.2		40	52	55				
55	59.2		48			5.6			42	55	58				
56	60.2		48.8			5.7		±0.5	43	56	59				
58	62.2		50.4	2		5.9	2.5		44	58	61				
60	64.2	±0.45	52			6.1			46	60	63				
62	66.2		53.6			6.3			47	62	65				
63	67.2		54.4			6.4	2.8		48	63	66				
65	69.2		55.8			6.7			49	65	68				
68	72.5		58.5			7			52	68	71				
70	74.5		60.1			7.2			53	70	73				
72	76.5		61.7			7.4			55	72	75				
75	79.5		63.9	2.5	±0.08	7.8	3.2		57	75	78				2.5
78	82.5		66.3			8.1			59	78	81				
80	85.5		68.9			8.3			61	80	83.5				
82	87.5		70.5			8.5			62	82	85.5				
85	90.5		72.7			8.9			64	85	88.5				
88	93.5		75.1			9.2		±0.7	67	88	91.5				
90	95.5	±0.55	76.7			9.4			68	90	93.5				
92	97.5		78.3	3	±0.09	9.6	4		70	92	95.5		3.2	+0.18 0	3
95	100.5		80.5			10			72	95	98.5				
98	103.5		82.9			10.3			75	98	101.5				
100	105.5		84.5			10.5			76	100	103.5				

• Material = carbon steel

Hardness = HRC44~52

Finish = black oxide or phosphate coating (ACP)